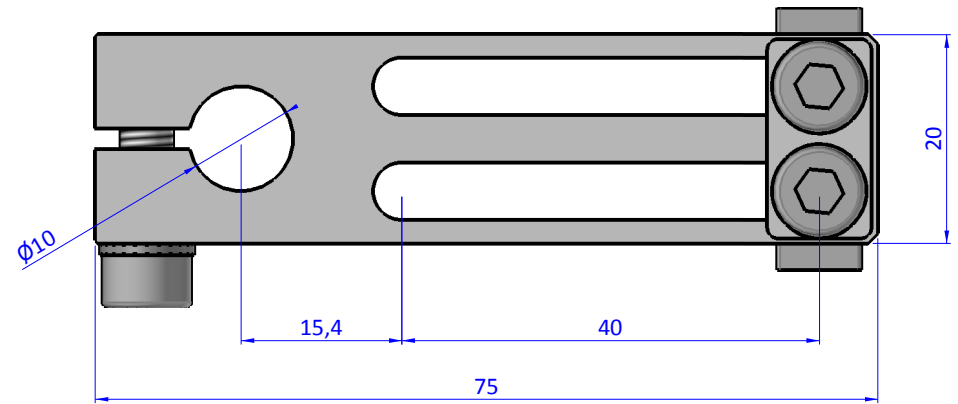
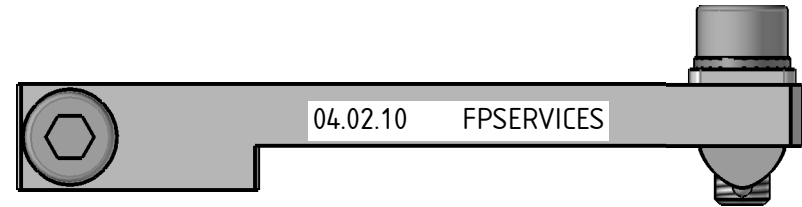
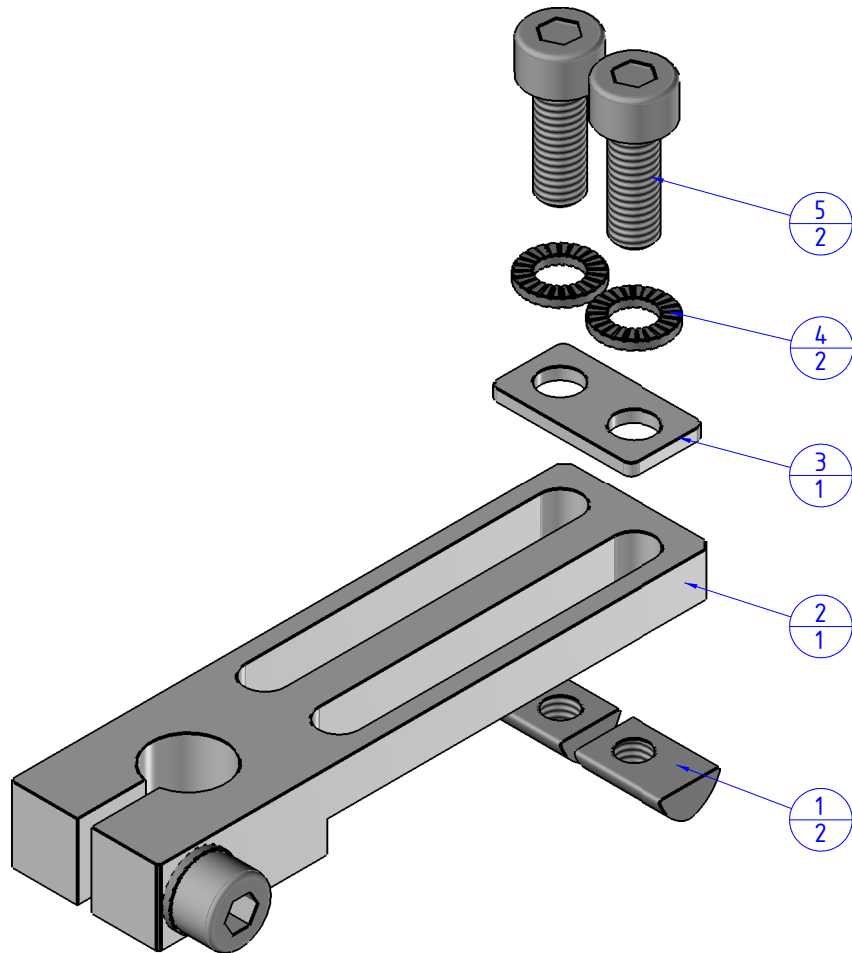



THE PROPERTY OF THE DRAWING IS ESTABLISHED BY LAW. IT IS FORBIDDEN TO PRODUCE OR SHOW IT TO THIRD PARTY, WITHOUT A WRITTEN AGREEMENT.

Object Number	Name	QTY
1	02.05.003	2
2	CA.04.02.10	1
3	R.05.10	1
4	R.5.SCH	2
5	V.TCE5x14	2



Format A3

UNI 936-76

 FPSERVICES AUTOMATION		DESIGNED FROM		REVIEW
		FPS Automation		A
GENERAL TOLERANCE		DATE	WEIGHT	
UNI - ISO 2768		24/07/2019	0,037kg	
CLASSE f		CODE		CA.04.02.10.5
		DESCRIPTION		CA.04.02.10.5